

VERSALAM2700EP LAMINATOR PARTS MANUAL

DATE: 10/09/2018

*** BASED ON: STANDARD FEATURES LIST VERSION 28.2**

DRAWING NO.	PART NO.	DESCRIPTION	REMARK
001	RLM-P1BR	BRACKET	W/ J-shaped slot
001-1	RLM-P1-1	UPPER BRACKET (L)	
001-2	RLM-P1-2	UPPER BRACKET (R)	
001-3	RLM-P1-3	LOWER BRACKET (L)	
001-4	RLM-P1-4	LOWER BRACKET (R)	
002	RLM-2A	TOP/BOTTOM ROLLER	
004	RLM-3(SLVR)	FEED TRAY	
005	RLM-4	FIXING PLATE	for heater
006	RLM-5-1:75	DC MOTOR (1:75)	
007	RLM-6	PRESS PLATE	
008	RLM-7	POWER BRACKET (R)	
008-1	RLM-7-1	POWER BRACKET (L)	
009	RLM-8L	HEATER BRACKET (R)	
009-1	RLM-8L-1	HEATER BRACKET (L)	
010	RLM-9(SLVR)	MIDDLE GUIDE PLATE	
012	3H1-D30	THERMO SET	
013	RLM-12	FEEDING PLATE (UPPER)	
013-1	RLM-12	FEEDING PLATE (LOWER)	
014	RLM-13	PAD	
015	RLM-14NA	TOP ROD	
015-1	RLM-14NA-1	BOTTOM ROD	
016	RLM-15A	EXPAND SHAFT Ø5	
016-1	RLM-15B	EXPAND SHAFT (MOVABLE)	
017	RLM-16	FIXED SHAFT	
018	RLM-17	ADJUSTMENT SHAFT	
019	RLM-P18N (SLVR)	REAR COVER	with 5 holes for fans
020	RLM-19(SLVR)	INNER COVER	
021	RLM-20-1	FRONT ROLLER SPROCKET (32T)	
022	RLM-20-2	REAR ROLLER SPROCKET(31T)	
023	RLM-20-3	MOTOR SPROCKET (31T)	
025	RLM-21	FIXING PLATE	
026	RLM-22N (NVY)	SIDE COVER (R)	navy blue
026-1	RLM-22-1N (NVY)	SIDE COVER (L)	navy blue
027	RLM-23	TENSION ADJUSTMENT KNOB	
027-1	M4*0.7	SCREW	
027-2	Φ9	CAP	
027-3	RLM-W1	WASHER	
028	RLM-P25	CU BUSH	
029	RLM-25	CU BUSH	
030	RLM-26	PANNEL RACK	
031	RLM-27TA (BLK)	CONTROL PANEL	
032	RLM-27AU	PCB (CPU#D7D)	
032-1	RLM-27AU-1	LED PCB	
033	RLM-28TA(BLK)	BUTTON NAMEPLATE	
034	RLM-29	THANSMIT PARTS	
035	FD-39	BUSH	
036	RLM-PVN	HEATER SET	Parallel connection
	RLM-46	QUARTZ TUBE CAP	
036-1	3H1-P11	BAKELITE SHEET	
036-2	D266O-1	WIRE (HEATER TO PCB)	
036-3	D226N	WIRE (UPPER & LOWER HEATER)	
037	RLM-32 (SLVR)	HANDLE	
038	RLM-33 (SLVR)	SIDE GUIDE (L)	

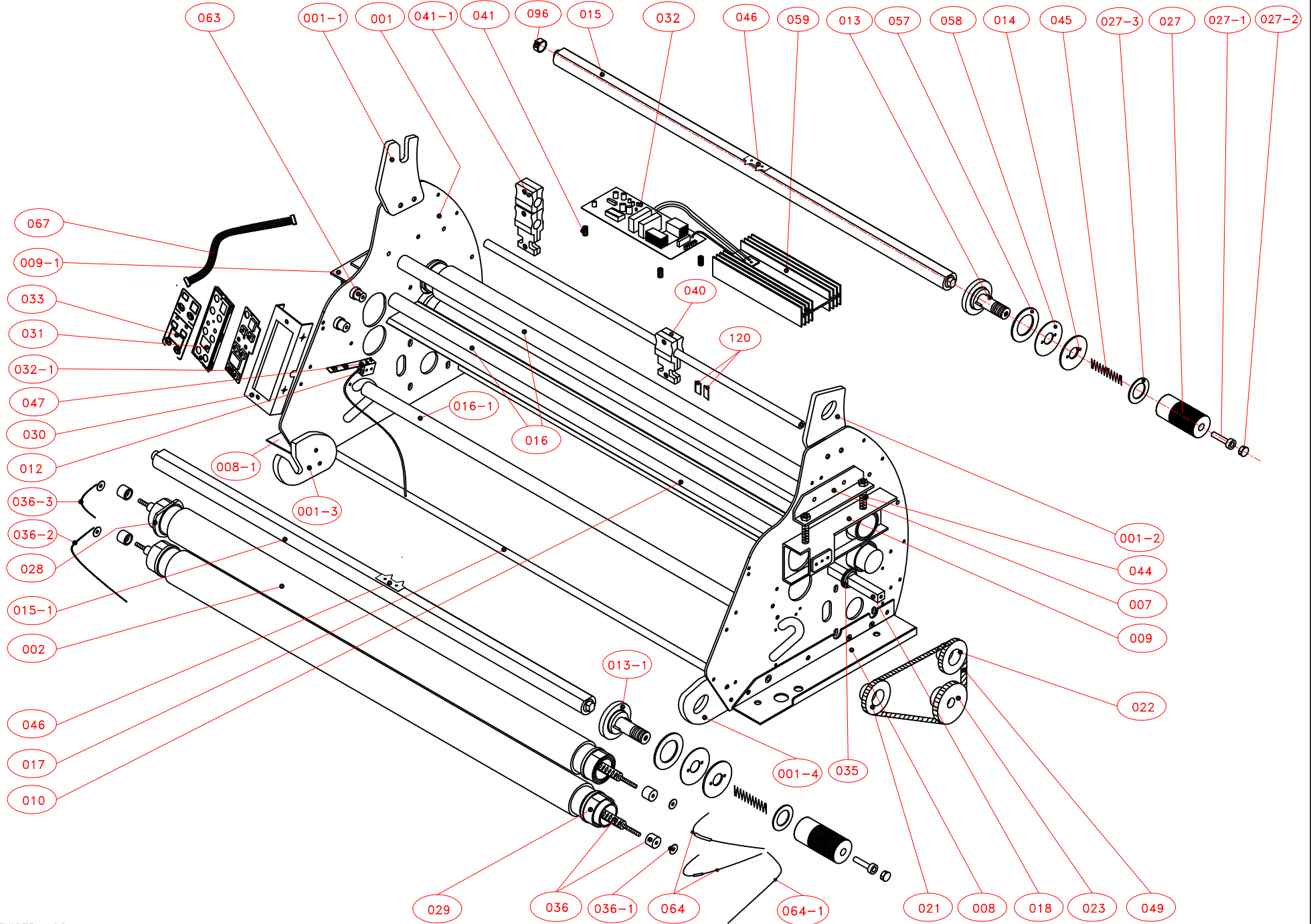
038-1	RLM-33-A(SLVR)	SIDE GUIDE (R)	
039	3H1-P9A	CERAMIC PAD	
040	RLM-37N	SLITTER	slitter (for two side lamiantion)
120	RLM-47	BLADE	
040-1	RLM-37N-1	SLITTER	slitter (for one side lamiantion)
120	RLM-47	BLADE	
041	RLM-39	SPACER	
042	CB-3	GUIDE SCREW	
044	RLM-42	SPRING	
045	RLM-43	SPRING	
046	RLM-44	CORE GRIPPER	
047	3H1-D33	TEMPERATURE SENSOR WITH WIRE	for bottom roller
047-1	3H1-D33-1	TEMPERATURE SENSOR WITH WIRE	for top roller
048	SB-4	FOOT PAD	
049	RLM-45	CHAIN	
052	RLM-48	POWER SWITCH	
053	RLM-49	POWER CORD	
054	RLM-50	FUSE SET	
055-1	EP-10-20A	FUSE	
055-2	EP-10-15A	FUSE	
056	RLM-53-SB	WIRE JACKET	
057	RLM-54	PAD	
058	RLM-55	PAD	
059	RLM-56	HEAT SINK (ALUMINUM)	
061	RLM-58-1	3" ADAPTER	
062	RLM-59A	SHIELD	
063	RLM-60	FIXED POLE	
064	RLM-52	CUT-OFF FUSE	
064-1	D266Q-1	WIRE (CUT-OFF FUSE TO PCB)	
065	RLM-62	TRANSFORMER	
067	RLM-27-3	CONNECT WIRE	
078	RLM-P61	STAND	same for both left & right
080	RLM-P61-I	BAR	
083	RLM-P61-6	TUBE CAP	
084	RLM-P61-7	WHEEL	
086	RLM-P63	FAN	
086-1	RLM-P63-1	FAN'S NET	
087	RLM-P64	FIXING PLATE	for thermal set
090	3RLM-P8	SWITCH (FAN)	
091	RLM-S1	MOTOR CONTROL SWITCH	
092	3LM-E3	SWITCH (AUTO SHUT-OFF)	
093	3LM-E3	SWITCH (BOTTOM ROLLER HEATER)	
095	RLM-P72	LIMITED SWITCH	
096	RLM-P73	BUSH	
097	RLM-BR2	BACK ROLLER	
097-1	RLM-BR8A	TURNING BAR	
097-2	RLM-BR7-E	FIXING PLATE (FOR TURNING BAR)	
097-3	RLM-37-1	BUSH	
098	RLM-LR3	FIXED PALTE A	
099	RLM-LR4	FIXED PLATE B	
100	RLM-LR5	FIXED PLATE C	
101	RLM-LR6	FIXED PLATE D	
102	RLM-63L	FIXED PLATE (L)	
103	RLM-63L-1	FIXED PLATE (R)	
104	RLM-64L	BRACKET	
105	RLM-65L	ADJUSTMENT POLE	
106	RLM-66N	DE-CURLING BAR	

107	RLM-67L	KNOB	
108	CB-3L	GUIDE SCREW	
111	NH-D37A	FIXING PLATE (R)	for rear cover
112	NH-D38A	FIXING PLATE (L)	for rear cover
113	RLM-66L-1A	BUSH (DE-CURLING BAR)	
114	3LM-P12	LED LAMP	
115	3LM-P13	LED LAMP SET	
116	RLM-61	RACK	
117	3LM-E1	LIMIT SWITCH	for shield & feed tray
118	RLM-S3	VARISITOR	
119	RLM-S4	RING CORE	
	LABEL-1	BRAND(VERSALAM2700EP)	
	LABEL-2	BUTTOM ROLLER HEATER	
	LABEL-3	AUTO SHUTOFF	
	LABEL-4	SPEED LABEL	
	LABEL-5	CLEAN ROLLERS	
	LABEL-6	OPERATION INSTRUCTION	
	LABEL-7	WARING HAZARDOUS	
	LABEL-8	SHIELD (LED LIGHT)	
	LABEL-9	PAPER TRAY (LED LIGHT)	
	LABEL-11	UP-DOWN	

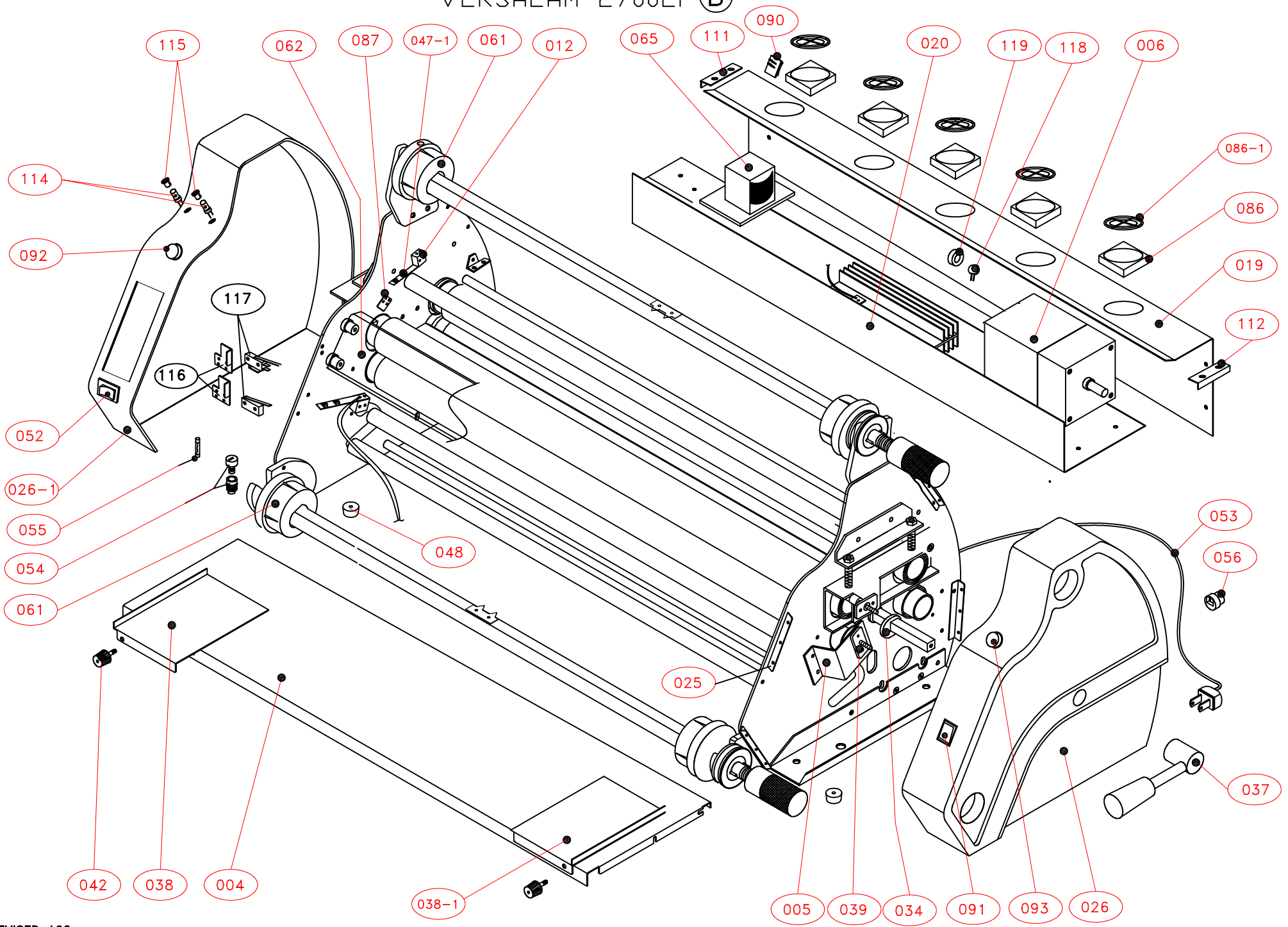
<u>PARTS SET</u>				
Parts code	Containment		Item	Remark
E-RLM-01	015	RLM-14NA	Upper supply roller	
	046	RLM-44		
	096	RLM-P73		
E-RLM-02	015-1	RLM-14NA-1	Lower supply roller	
	046	RLM-44		
	096	RLM-P73		
D-RLM-03	032	RLM-27-AU	PCB set	with triac
	059	RLM-56		with transistor(3055)
A-RLM-04B	036	RLM-PVN	Heater set (parallel connetcion)	
	036	RLM-46 *2		
A-RLM-05	004	RLM-3(SLVR)	Feed tray (silver)	silver
	038	RLM-33(SLVR)		
	038-1	RLM-33-A(SLVR)		
	042	CB-3		
A-RLM-06U	013	RLM-12	Upper tension adjustment knob	
	014	RLM-13		
	027	RLM-23		
	027-3	RLM-W1		
	045	RLM-43		
	057	RLM-54		
	058	RLM-55		
A-RLM-06L	013-1	RLM-12	Lower tension adjustment knob	
	014	RLM-13		
	027	RLM-23		
	027-3	RLM-W1		
	045	RLM-43		
	057	RLM-54		
	058	RLM-55		
D-RLM-07L	012	3H1-D30	Temperature sensor (bottom roller)	
	047	3H1-D33		
D-RLM-07U	012	3H1-D30	Temperature sensor (top roller)	
	047-1	3H1-D33-1		

VERSALAM-2700EP ROLL- LAMINATOR

A



VERSALAM-2700EP (B)



VERSALAM-2700EP

(C)

