

## \* BASED ON: STANDARD FEATURES LIST VERSION 26.1

DRAWING NO.	PART NO.	DESCRIPTION	REMARK
036-4	D266L-1	WIRE (SWITCH TO PCB)	
037	RLM-32(SLVR)	HANDLE	silver
038	RLM-33(SLVR)	SIDE GUIDE (L)	silver
038-1	RLM-33-A(SLVR)	SIDE GUIDE (R)	silver
039	3H1-P9A	CERAMIC PAD	
040	RLM-37N	SLITTER	slitter (for two side lamiantion)
	RLM-47	BLADE	
040-1	RLM-37N-1	SLITTER	slitter (for one side lamiantion)
	RLM-47	BLADE	
041	RLM-39-RS	SPACER	
042	CB-3	GUIDE SCREW & NUT	
044	RLM-42	SPRING	
045	RLM-43	SPRING	
046	RLM-44	CORE GRIPPER	
047	3H1-D33	TEMPERATURE SENSOR WITH WIRE	for bottom roller
047-1	3H1-D33-1	TEMPERATURE SENSOR WITH WIRE	for top roller
048	SB-4	FOOT PAD	
049	RLM-45	CHAIN	
050	RLM-46	QUARTZ TUBE CAP	
052	RLM-48	POWER SWITCH	
053	RLM-49	POWER CORD	
054	RLM-50	FUSE SET	
055-1	EP-10-20A	FUSE	
055-2	EP-10-15A	FUSE	
056	RLM-53-SB	WIRE JACKET	
057	RLM-54	PAD	
058	RLM-55	PAD	
059	RLM-56	HEAT SINK (ALUMINUM)	
062	RLM-59A	SHIELD	
063	RLM-60	FIXED POLE	
064	RLM-52	CUT-OFF FUSE	
064-1	D266Q-1	WIRE (CUT-OFF FUSE TO PCB)	
065	RLM-62	TRANSFORMER	
067	RLM-27-3	CONNECT WIRE	
069	3LM-P12	LED LAMP	with wire welded
070	3LM-P13	LED LAMP SET	
071	3LM-E1	LIMIT SWITCH WITH WIRE	for feed tray/shield
071-1	RLM-61	RACK	
072	RLM-P72	LIMIT SWITCH WITH WIRE	for top/bottom rollers
073	RLM-S3	VARISITOR	
074	RLM-S4	RING CORE	
075	RLM-S1	MOTOR CONTROL SWITCH	
076	3LM-E3	SWITCH (AUTO SHUT-OFF)	
076-1	3LM-E3	SWITCH (BOTTOM ROLLER HEATER)	
080	RLM-P63	FAN	
080-1	RLM-P63-1	FAN'S NET	
081	3RLM-P8	SWITCH (FAN)	

## \* BASED ON: STANDARD FEATURES LIST VERSION 26.1

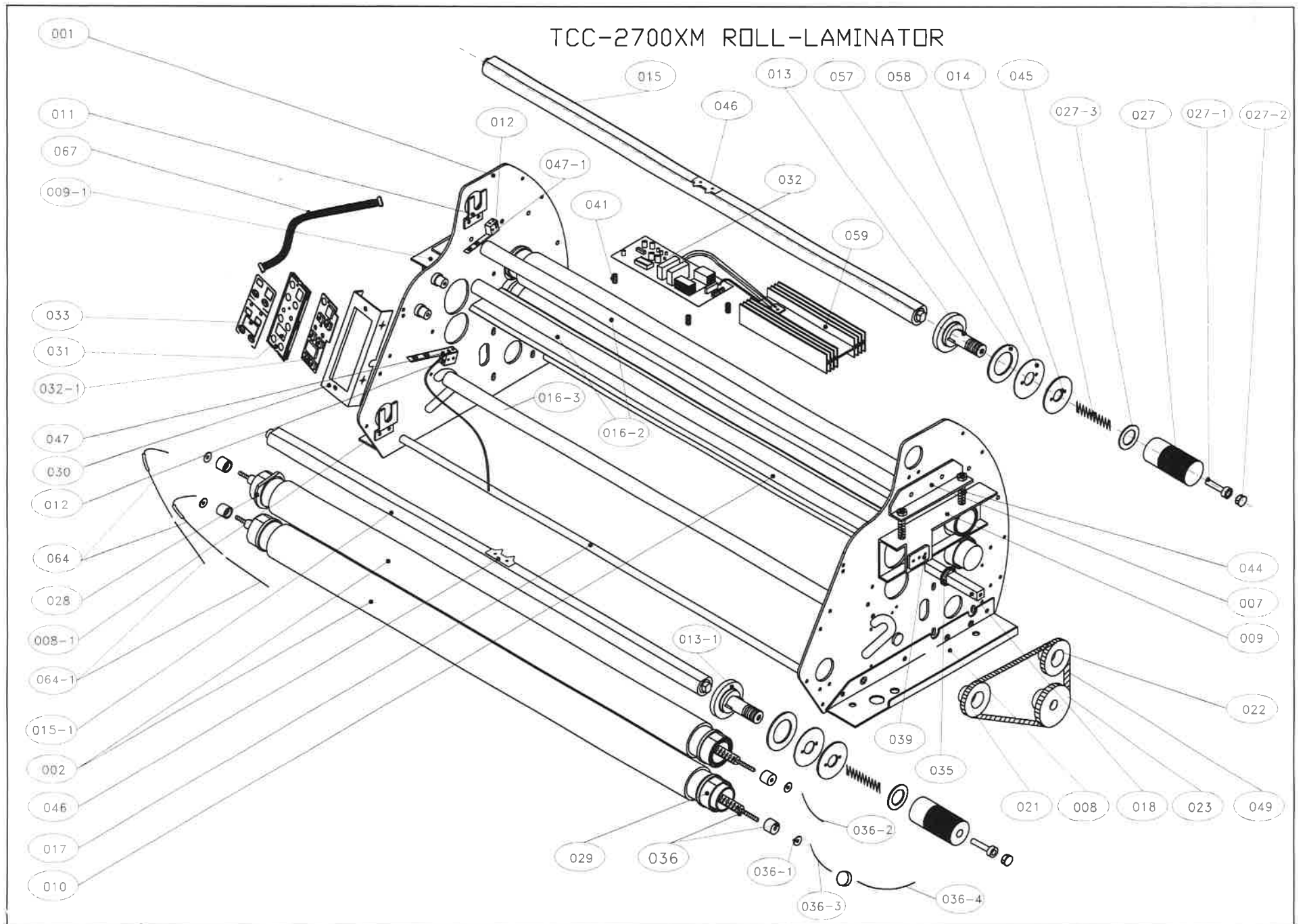
DRAWING NO.	PART NO.	DESCRIPTION	REMARK
001	RLM-1BR	BRACKET	
002	RLM-2A	TOP/BOTTOM ROLLER	
004	RLM-3(SLVR)	FEED TRAY	silver
005	RLM-4	FIXING PLATE	for quartz tube
006	RLM-5-1:75	DC MOTOR (1:75)	
007	RLM-6	PRESS PLATE	
008	RLM-7	POWER BRACKET (R)	
008-1	RLM-7-1	POWER BRACKET (L)	
009	RLM-8L	HEATER BRACKET (R)	
009-1	RLM-8L-1	HEATER BRACKET (L)	
010	RLM-9(SLVR)	MIDDLE GUIDE PLATE	silver
011	RLM-10	FEEDING PLATE (L)	
012	3H1-D30	THERMO SET	
013	RLM-12	FEEDING PLATE (UPPER)	
013-1	RLM-12	FEEDING PLATE (LOWER)	
014	RLM-13	PAD	
015	RLM-14N	TOP ROD	
015-1	RLM-14N-1	BOTTOM ROD	
016-2	RLM-15A	EXPAND SHAFT Ø5	
016-3	RLM-15B	EXPAND SHAFT (MOVABLE)	
017	RLM-16	FIXED SHAFT	
018	RLM-17	ADJUSTMENT SHAFT	
019	RLM-P18N(SLVR)	REAR COVER	
020	RLM-19(SLVR)	INNER COVER	
021	RLM-20-1	FRONT ROLLER SPROCKET (32T)	
022	RLM-20-2	REAR ROLLER SPROCKET(31T)	
023	RLM-20-3	MOTOR SPROCKET (31T)	
025	RLM-21	FIXING PLATE	
026	RLM-22N (NVY)	SIDE COVER (R )	navy blue
026-1	RLM-22-1N (NVY)	SIDE COVER (L)	navy blue
027	RLM-23	TENSION ADJUSTMENT KNOB	
027-1	M4*0.7	SCREW	
027-2	RLM-23-2	CAP	
027-3	RLM-W1	WASHER	
028	RLM-P25	CU BUSH	
029	RLM-25	CU BUSH	
030	RLM-26	PANNEL RACK	
031	RLM-27TA (BLK)	CONTROL PANEL	
032	RLM-27AU	PCB (CPU#D7D)	
032-1	RLM-27AU-1	LED PCB	
033	RLM-28TA(BLK)	BUTTON NAMEPLATE	
034	RLM-29	THANSMIT PARTS	
035	FD-39	BUSH	
036	RLM-PVN	HEATER SET (PARALLEL)	
036-1	3H1-P11	BAKELITE SHEET	
036-2	D266O-1	WIRE (HEATER TO PCB)	
036-3	D266M-1	WIRE (SWITCH & LOWER HEATER)	

**\* BASED ON: STANDARD FEATURES LIST VERSION 26.1**

<b>DRAWING NO.</b>	<b>PART NO.</b>	<b>DESCRIPTION</b>	<b>REMARK</b>
082	NH-D37A	FIXING PLATE (R)	
083	NH-D38A	FIXING PLATE (L)	
084	RLM-P64	FIXING PLATE	
	LABEL-1	COMPANY NAME(TAMERICA)	
	LABEL-2	BUTTOM ROLLER HEATER	
	LABEL-3	AUTO SHUTOFF	
	LABEL-4	SPEED LABEL	
	LABEL-5	CLEAN ROLLERS	
	LABEL-6	OPERATION INSTRUCTION	
	LABEL-7	WARING HAZARDOUS	
	LABEL-8	SHIELD (LED LIGHT)	
	LABEL-9	PAPER TRAY (LED LIGHT)	
	LABEL-10	FOIL THREADING	
	LABEL-11	UP-DOWN	

<b>PARTS SET</b>				
<b>Parts code</b>	<b>Containment</b>		<b>Item</b>	<b>Remark</b>
A-RLM-01	015	RLM-14N	Upper supply roller	
	046	RLM-44		
A-RLM-02	015-1	RLM-14N-1	Lower supply roller	
	046	RLM-44		
D-RLM-03	032	RLM-27AU	PCB set	with triac
	059	RLM-56		with transistor(3055)
A-RLM-04B	036	RLM-PVN	Heater set (parallel connetcion)	
A-RLM-05	038	RLM-33(SLVR)	Feed tray (silver)	
	038-1	RLM-33-A(SLVR)		
	042	CB-3		
A-RLM-06U	013	RLM-12	Upper tension adjustment knob	
	014	RLM-13		
	027	RLM-23		
	027-3	RLM-W1		
	045	RLM-43		
	057	RLM-54		
A-RLM-06L	058	RLM-55	Lower tension adjustment knob	
	013-1	RLM-12		
	014	RLM-13		
	027	RLM-23		
	027-3	RLM-W1		
	045	RLM-43		
	057	RLM-54		
D-RLM-07L	012	3H1-D30	Temperature sensor (bottom roller)	
	047	3H1-D33		
D-RLM-07U	012	3H1-D30	Temperature sensor (top roller)	
	047-1	3H1-D33-1		

# TCC-2700XM ROLL-LAMINATOR



# TCC-2700XM ROLL- LAMINATOR

