

TCC-1400i LAMINATOR PARTS MANUAL

DATE: 11/15/2018

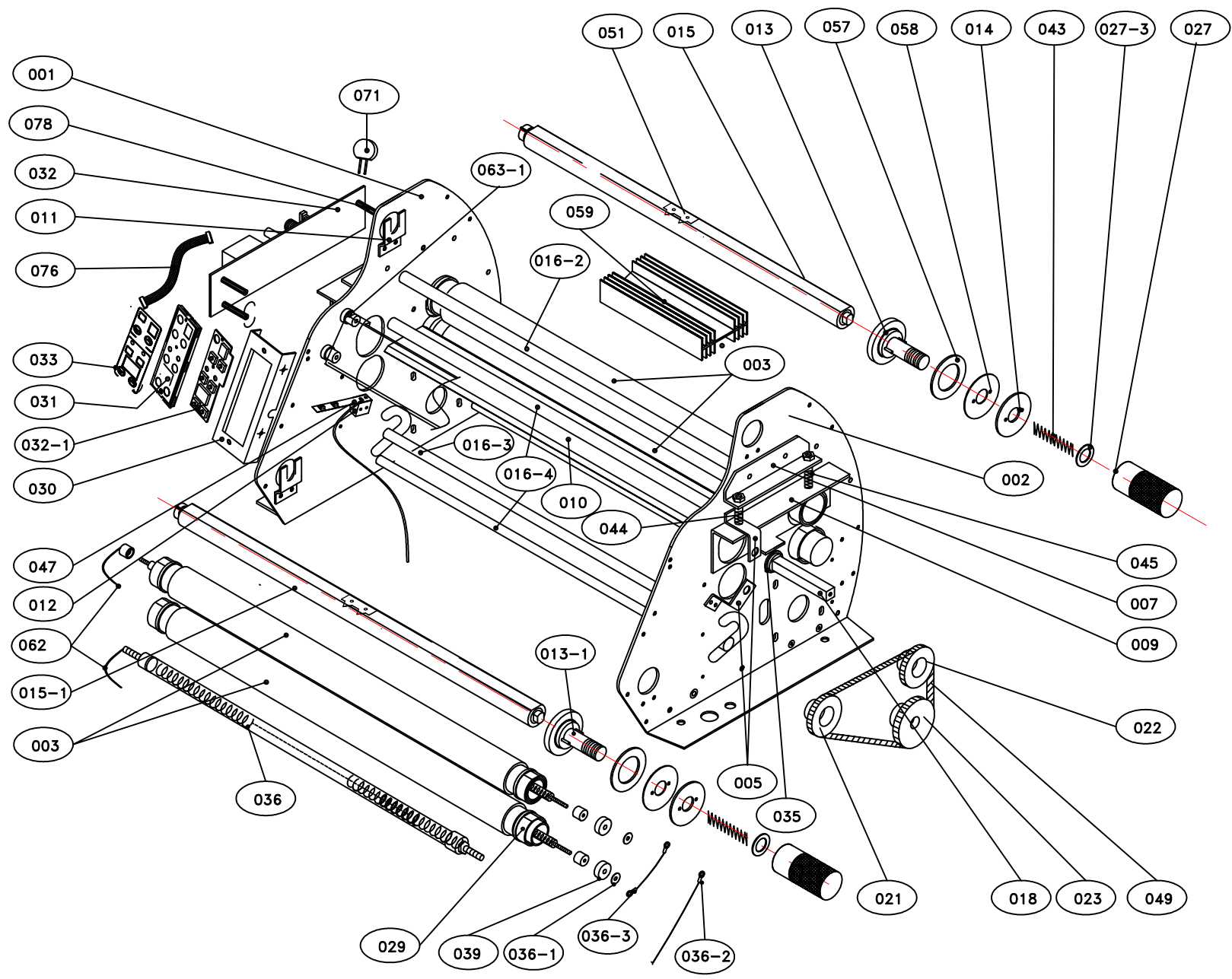
\* BASED ON: STANDARD FEATURES LIST VERSION 28.2

DRAWING NO.	PART NO.	DESCRIPTION	REMARK
001	RLM-B1N	BRACKET ( R )	W/ J-shaped slot,
002	RLM-B2N	BRACKET ( L )	
003	RLM-2T	TOP/ BOTTOM ROLLER	
004	RLM-B3I (SLVR)	FEED TRAY	silver
005	RLM-B4	FIXING PLATE FOR HEATER	
006	RLM-5-1:75	DC MOTOR (1:75)	
007	RLM-B6	PRESS PLATE	for left & right both
009	RLM-B8	HEATER BRACKET	for left & right both
010	RLM-9L (SLVR)	MIDDLE GUIDE PLATE	silver
011	RLM-10	FEEDING PLATE	
012	3H1-D30	THERMO SET	
013	RLM-12	FEEDING PLATE (UPPER)	
013-1	RLM-12-1	FEEDING PLATE (LOWER)	
014	RLM-13	PAD	
015	RLM-14L	TOP ROD	
015-1	RLM-14L-1	BOTTOM ROD	
016-2	RLM-15S	EXPAND SHAFT Ø5	
016-3	RLM-15S-2	EXPAND SHAFT (MOVABLE)	
016-4	RLM-15S-1	EXPAND SHAFT	
017	RLM-16L	FIXED SHAFT	
018	RLM-17L	ADJUSTMENT SHAFT	
019	RLM-B18I (SLVR)	REAR PLATE	silver
020	RLM-B19I (SLVR)	INNER COVER	silver
021	RLM-B20-1	FRONT ROLLER SPROCKET (20T)	
022	RLM-B20-2	REAR ROLLER SPROCKET(19T)	
023	RLM-B20-3	MOTOR SPROCKET (20T)	
025	RLM-21	FIXING PLATE	
026	RLM-B22I (NVY)	SIDE COVER (R)	navy blue
026-1	RLM-B22I-1 (NVY)	SIDE COVER (L)	navy blue
027	RLM-23	KNOB	
027-3	RLM-W1	WASHER	
029	RLM-B25	CU BUSH	
030	RLM-26	PANNEL RACK	
031	RLM-27T	CONTROL PANEL	
032	RLM-27-19A	PCB (CPU#19A-80)	with triac
032-1	RLM-27-4	LED PCB	
033	RLM-28T	BUTTON NAMEPLATE	black in grey background
	RLM-28 (BLK)		silver in black background
034	RLM-B29	THANSMIT PARTS	
035	FD-39	BUSH	
036	3H1-P8	QUARTZ TUBE	
	RLM-46	QUARTZ TUBE CAP	
036-1	3H1-P11	BAKELITE SHEET	
036-2	D2660-1	WIRE (HEATER TO PCB)	
036-3	D266N	WIRE (UPPER & LOWER HEATER)	
037	RLM-32 (SLVR)	HANDLE & CAP	silver
038	RLM-33 (SLVR)	SIDE GUIDE (L)	silver
038-1	RLM-33-A (SLVR)	SIDE GUIDE (R)	silver
039	3H1-BP9A	ISOLATION PAD	
040	RLM-37N	SLITTER	slitter
082	RLM-47	BLADE	
042	CB-3	GUIDE SCREW & NUT	
043	RLM-43	SPRING	
044	RLM-B42	SPRING (BLACK)	for front roller

045	RLM-B42-1	SPRING (SILVER)	for rear roller
047	3H1-D33	TEMPERATURE SENSOR WITH WIRE	
048	SB-4	FOOT PAD	
049	RLM-45	CHAIN	
051	RLM-44	CORE GRIPPER	
052	RLM-48	POWER SWITCH	
053	EP-31(16AWG)	POWER CORD	
054	RLM-50	FUSE SET	
055	EP-10-10A	FUSE	
056	RLM-53-SR	WIRE JACKET	
057	RLM-54	PAD	
058	RLM-55	PAD	
059	RLM-56-1	HEAT SINK (ALUMINUM)(15CM)	
	3055	TRANSISTOR	
062	RLM-52	CUT-OFF FUSE	
063	RLM-59L	SHIELD	
063-1	RLM-60	FIXED POLE	
071	RLM-S3	VARISITOR	
072	RLM-S4	RING CORE	
076	RLM-27-3	CONNECT WIRE	
078	RLM-39	SPACER SUPPORT	
079	RLM-62	TRANSFORMER (110V)	
080	RLM-S1	MOTOR CONTROL SWITCH	
081	D266D-1	LIMIT SWITCH WITH WIRE	
	LABEL-1	COMPANY NAME(TAMERICA)	
	LABEL-4	SPEED LABEL	
	LABEL-5	CLEAN ROLLERS	
	LABEL-6	OPERATION INSTRUCTION	
	LABEL-7	WARING HAZARDOUS	
	LABEL-10	FOIL THREADING	
	LABEL-11	UP-DOWN	

<b>PARTS SET</b>				
<b>Parts code</b>	<b>Containment</b>		<b>Item</b>	<b>Remark</b>
B-RLM-01	015	RLM-14L	Upper supply roller	
	051	RLM-44		
B-RLM-02	015-1	RLM-14L-1	Lower supply roller	
	051	RLM-44		
A-RLM-03	032	RLM-27-19	PCB set	
	059	RLM-56		with 3055 (transistor) & triac
B-RLM-04B	036	3H1-P8(110V)	Heater set (parallel connetcion)	
		RLM-46		quartz tube cap *2
B-RLM-05A	004	RLM-B3I (SLVR)	Feed tray (silver)	
	038	RLM-33 (SLVR)		
	038-1	RLM-33-1 (SLVR)		
	042	CB-3 *2		
A-RLM-06U	013	RLM-12	Upper tension adjustment knob	
	014	RLM-13		
	027	RLM-23		
	027-3	RLM-W1		
	043	RLM-43		
	057	RLM-54		
A-RLM-06L	013-1	RLM-12-1	Lower tension adjustment knob	
	014	RLM-13		
	027	RLM-23		
	027-3	RLM-W1		
	043	RLM-43		
	057	RLM-54		
	058	RLM-55		

TCC-1400I ROLL-LAMINATOR (A)



TCC-1400I ROLL- LAMINATOR (B)

