

# Part List : 1200HC

	Part No	Part Name	Spec.	Euro
	1	Main Bracket_Right		
	2	Main Bracket_Left		
	3	Cover_Right		
	4	Cover_Left		
	5	Cover_Top		
	7	Base		
	8	Base_Cover		
	8_1	Base_Power		
	9	Guide Table		
	10	Cooling Plate		
	11	Hot Roller Bracket_Left		
	11_1	Hot Roller Bracket_Right		
	12	Pull Roller Bracket-right		
	12_1	Pull Roller Bracket-left		
	13	Hot Roller Tension Bracket		
	14	Pull Roller Tension Bracket		
	15	Tension Bracket_Bottom_Left		
	15_1	Tension Bracket_Bottom_Right		
	16	Heater Bracket_Top		
	17	Heater Bracket_Bottom		
	18	Sub Tension Bracket-Right		
	18_1	Sub Tension Bracket-Left		
	19	Film Bracket_Top_Right		
	19_1	Film Bracket_Top_Left		
	20	Film Bracket_Bottom_Right		
	20_1	Film Bracket_Bottom_Left		
	23	Guide Bar_Top		
	24	Guide Bar_Bottom		
	25	Infrared Sensor Bracket		
	25_1	Infrared Sensor_top bar		
	25_2	Infrared Sensor_Bottom Bracket		
	26	Side Cutter Bracket-Right		
	26_1	Side Cutter Bracket-Left		
	26_2	Side Cutter Bracket_1		
	26_3	Side Cutter Bracket_2		
	27	Idle Shaft Bk -Bottom		
	28_1	Safty Switch Bk		
	28_2	Safty Switch Bk_Long		

29	Stand_2EA		
31	Stand Bridge Bar		
32	End Cutter Bracket_1		
33	End Cutter Bracket		
33_1	End Cutter Bracket_2		
33_2	End Cutter Bracket_3		
34	Rewinder Box		
35	Rewinder Bracket		
36	Rewinder Bearing Bracket big		
36_1	Rewinder Bearing Bracket small		
37	Rewinder Shaft		
37_1	Unwinder Shaft		
38	Grip		

MAIN

41	Shaft_Guide Table		
42	Shaft_Side Cutter		
43	Shaft_End Cutter		
44	Shaft_Film		
45	Shaft_Idle		
46	Shaft_Cam		
47	Cam		
48	Bridge_Shaft and Pressure Handle		
49	Pressure handle		
50	Knob_Pressure Handle		
51	Knob_Film Shaft		
52	Knob_Side Cutter and Status Bar		
53	Core		
54	Bolt_Core		
55	Spring_Film Shaft		
56	Spring_Roller Tension		
58	Knob_Rewinder		
60	Bearing _ Idle Top		
60_1	Bearing _ Idle Bottom		
60_2	Bearing _Rewinder-big		
60_3	Bearing _Rewinder-small		
60_4	Bearing _Rewinder-Trust		
61	Hot Roller_Red_First		
62	Pull Roller_Gray_Second		
63	Heater		
64	Bush_Hot Roller		
65	Bush_Pull Roller		
66	Gear_Hot Roller		

	67	Gear_Pull Roller		
	68	Gear_Motor		
	69	Gear_Rewinder_Main		
	70	Gear_Rewinder_Sub		
	71	Chain_Main		
	72	Chain_Rewinder		
	73	Protector(Bi-Metal)		
	74	Trans_M		
	75	Trans_C		
	76	Main PCB		
	77	BTA 25 (Triac)		
	78	Cooling Fan		
	79	Switch		
	80	Inlet Socket		
	81	Huse Holder		
	82_1	Bush Cord_Foot Switch		
	83	Foot Switch		
	84	Emergency Switch		
	85	Saftey Switch		
	86	Infrared Temp. Sensor		
	87	Motor		
	88	End Cutter		
	89	Side Cutter		
	90	Support_Main PCB		
	91	E ring		
	92	Cable Clamp		
	95	Stand Wheel		
	96	DU_Film Shaft		
	97	Fuse		
	99	Rewinder-Du Trust		
	99_1	Rewinder-Disc Spring		
Sub	101	Key Pad Frame		
	102	Key Pad		
	103	Key Board PCB		
	104	Window sticker		

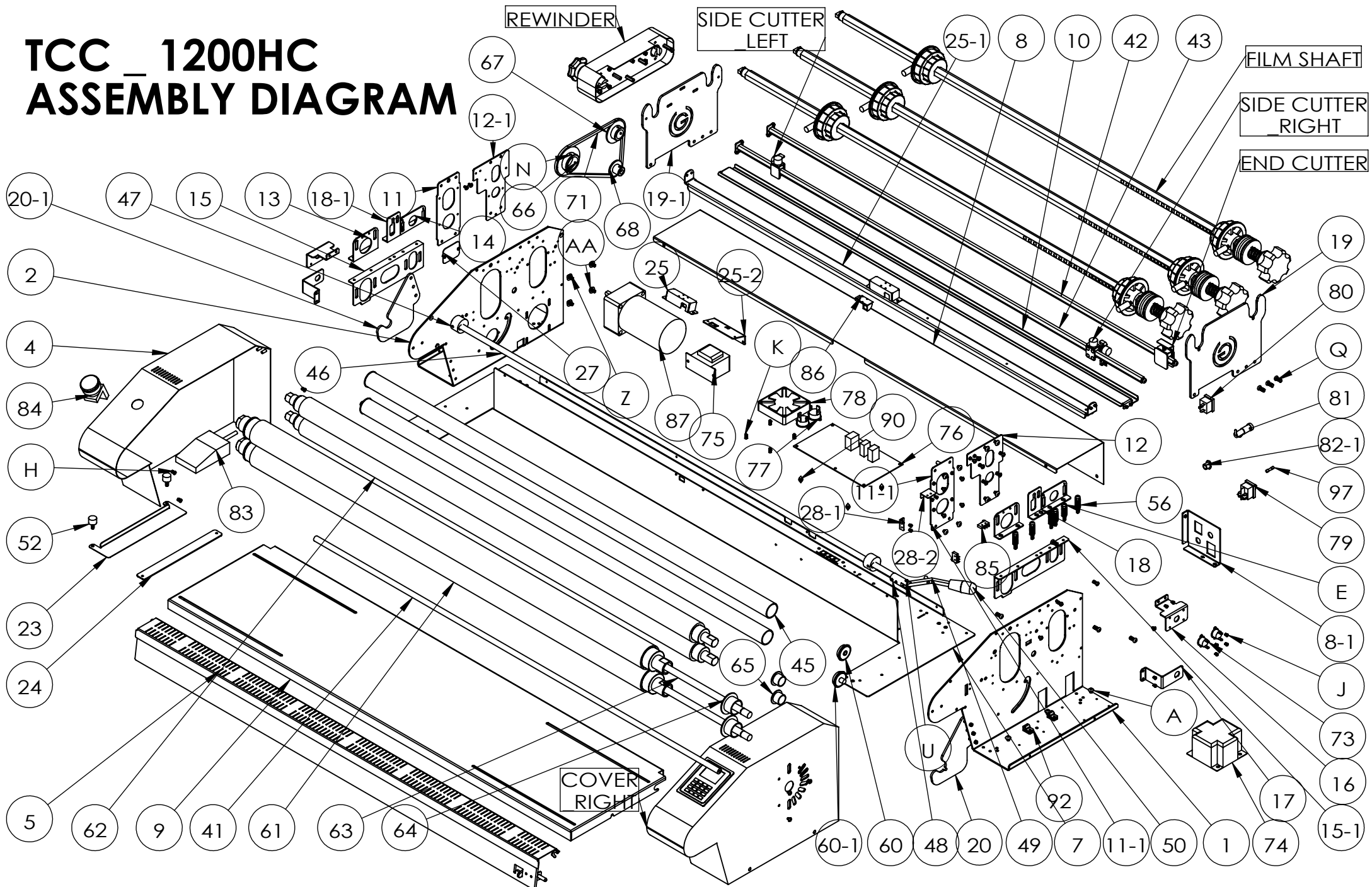
Wire	111	LCD to Main Board Wire		
	112	Earth Wire(Green/Yellow)		
	113	Power Connector wire - Black		
	114	Power Wire - Red		
	115	BTA 25 Wire - G (Yellow)		
	116	T1 ( Red )		
	117	T2 ( Blue)		
	118	Heater Connector Wire (Blue))		

	119	Heater Wire (white)		
--	-----	---------------------	--	--

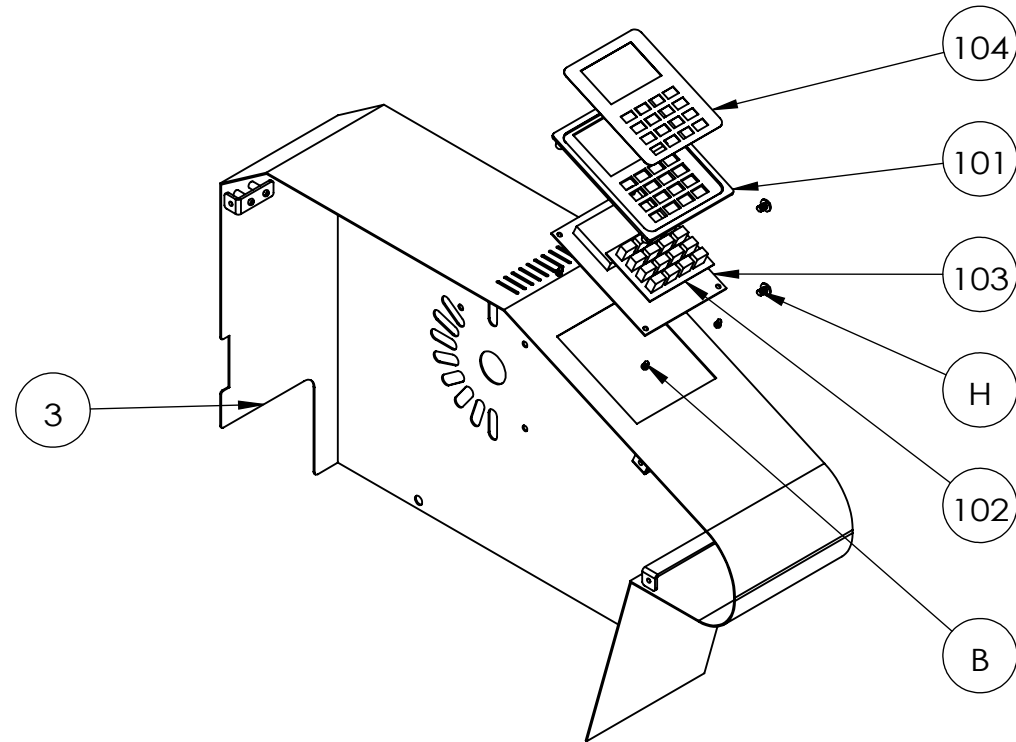
Packing	121	Snow box - Top and Bottom		
	122	Snow box - Side		
	123	Snow box - Front		
	124	Box_Main		
	125	Box_Stand		
	126	Vinil		

Bolt	A	Bolt_Hot, Pull Roller Bracket	5x6	
	B	Bolt_side cutter ,end cutter	3x6	
	C	Bolt_Motor	8x30	
	E	Bolt_Tension	5	
	G	Nut	M8	
	H	Bolt_Case	4X6	
	J	Bolt_General	4x4	
	K	Bolt_Fan	5x10	
	L	Wrench Bolt_Hot Roller Gear	M8x10	
	M	Wrench Bolt_Pull Roller Gear	M6x10	
	N	Wrench Bolt_Motor Gear	M5x10	
	O	Spacer Bolt	M4 x 20	
	P	Spacer Bolt	M4 x 30	
	Q	Bolt_Shaft	6x12	
		Bolt_Film Bracket and Stand	6x12	
	S	Wrench Bolt_Stand	12x70	
	T	Wrench Bolt_Cam	5x30	
	U	Bolt_Pressure Handle	4x12	
	V	Bolt_Taper_Case	4x8	
	W	Bolt_Safety Switch	2x12	
X	Bolt_Film Bracket and Rewinder	4x45		
Z	Plane Washer	ø4, ø5, ø6, ø8, ø12		
AA	Spring Washer	ø4, ø5, ø6, ø8, ø12		

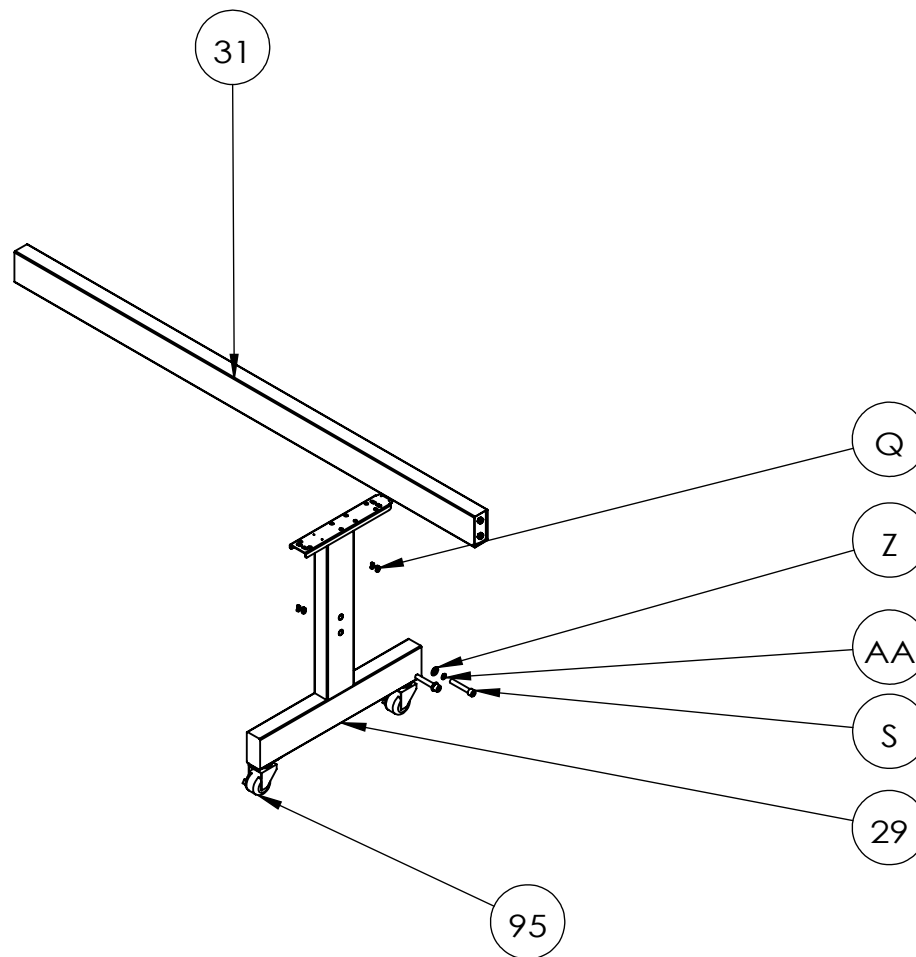
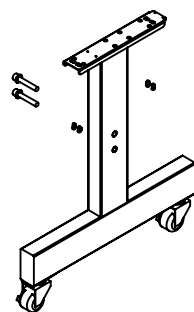
# TCC\_1200HC ASSEMBLY DIAGRAM



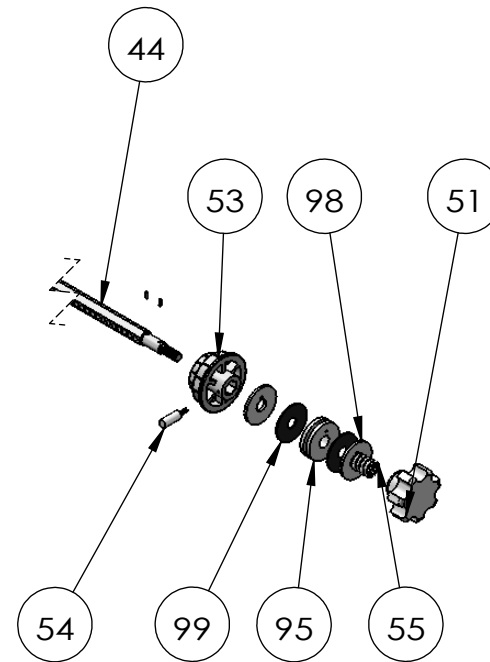
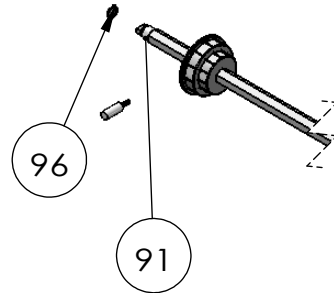
# COVER-RIGHT ASS'Y DIAGRAM



# STAND ASSEMBLY DIAGRAM

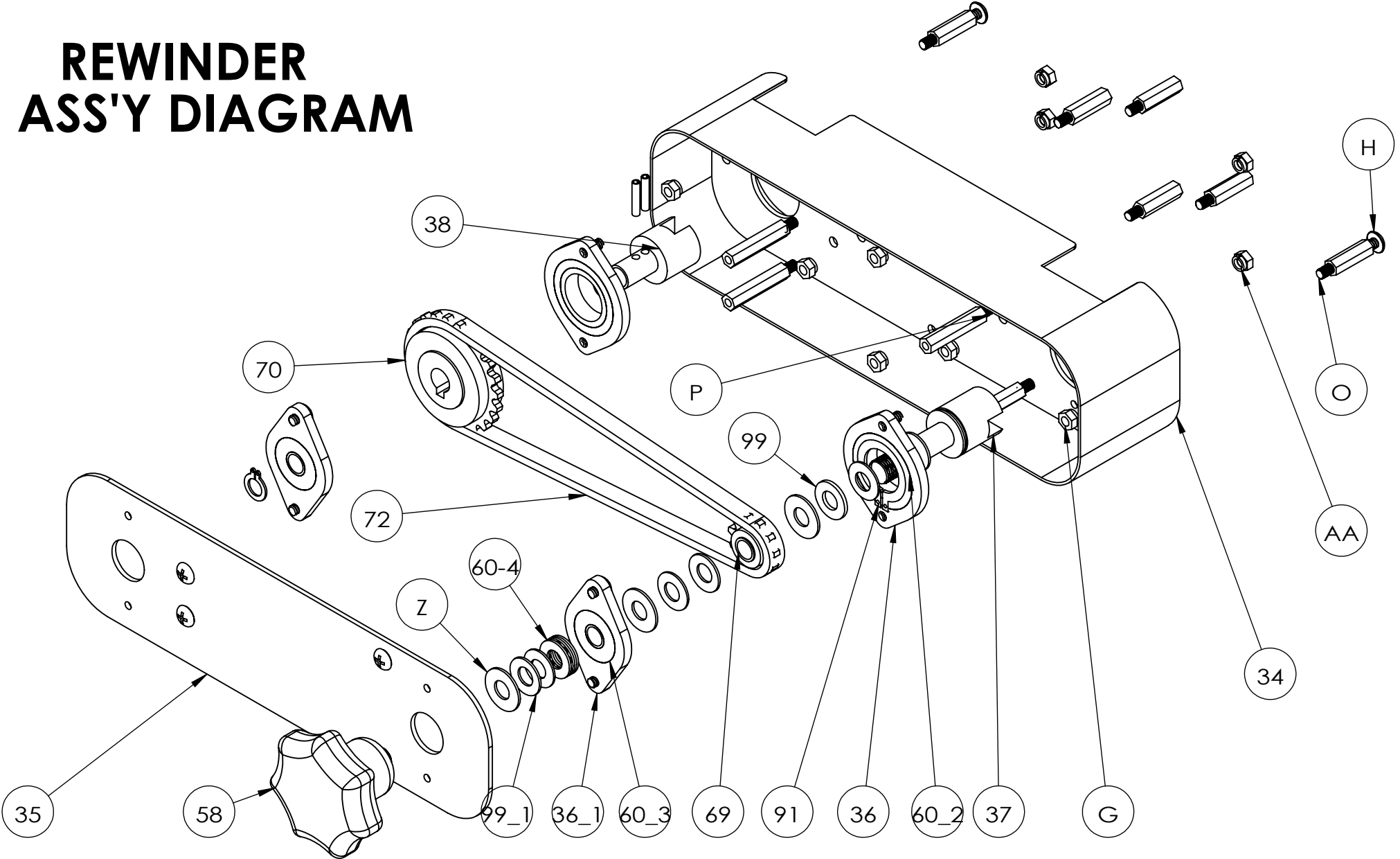


# FILM SHAFT ASS'Y DIAGRAM

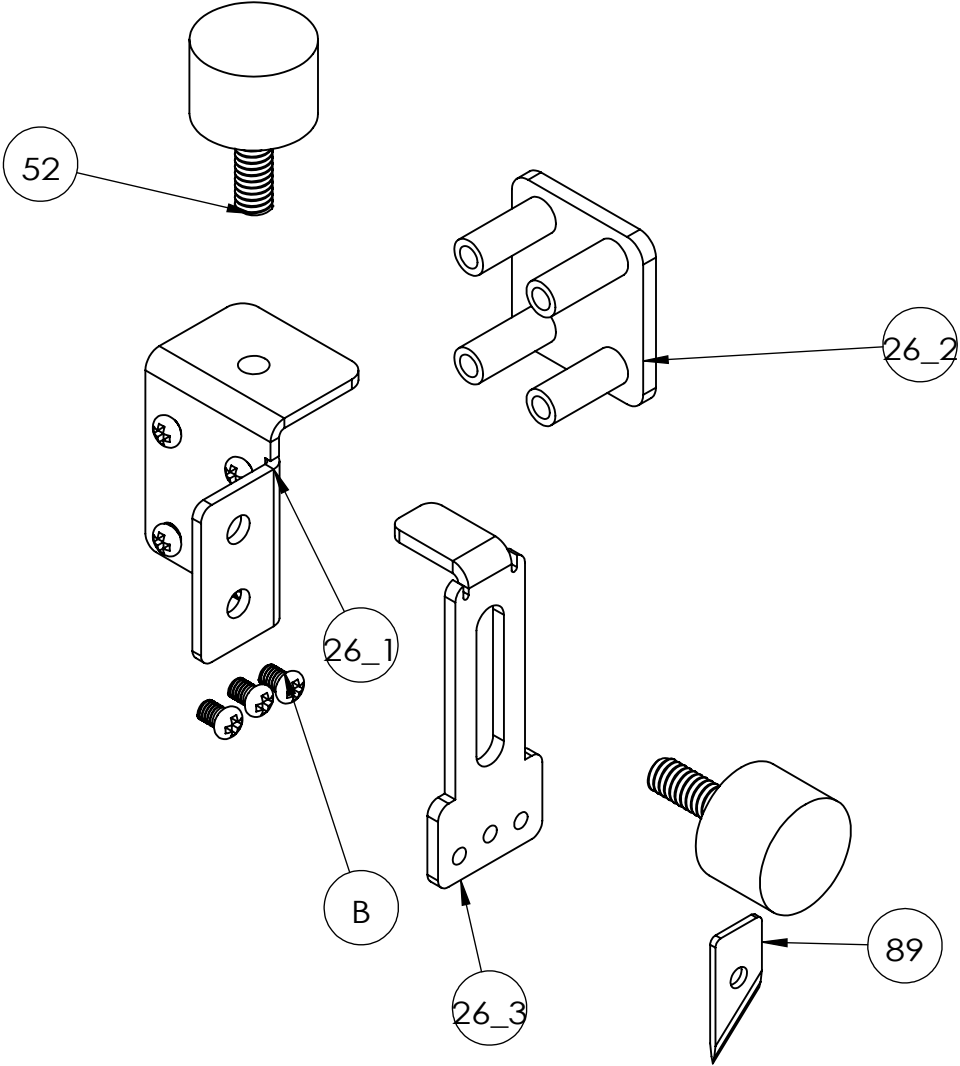




# REWINDER ASS'Y DIAGRAM



# SIDE CUTTER\_LEFT ASS'Y DIAGRAM



# SIDE CUTTER\_RIGHT ASS'Y DIAGRAM

